

Features of the Range:

Polar Refrigeration offers a wide range of commercial Refrigerators, Freezers, Blast Chillers, Prep Counters and Ice Makers, all of which have been designed to meet the requirements of a busy commercial kitchen.

The range of Polar Refrigeration is suitable for a variety of businesses such as restaurants, hotels, leisure, educational establishments, public houses, and many, many more.

Whatever your requirements, Polar Refrigeration has the right product for you. To date, Polar Refrigeration has been sold in over 100 countries worldwide including the UK, Ireland, France, Spain, Portugal, Belgium, Germany, Holland, and Australia.

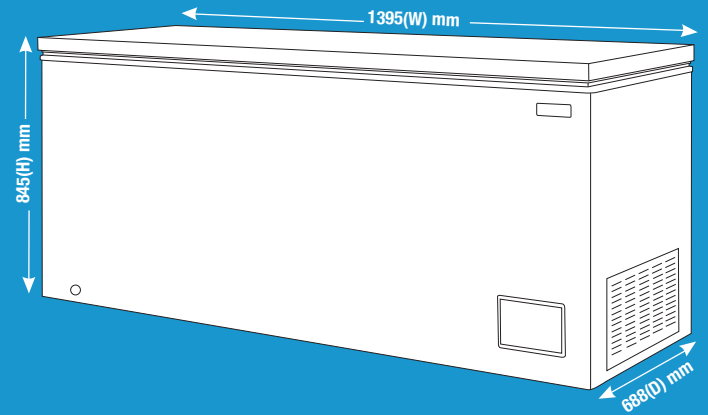


Features and Benefits:

- Stainless steel lid, can be utilised as a prep surface
- Static cooling
- 2 baskets for storage

CM530

Dimensions:



Optional Extras

Additional shelves	No
Additional runners	No
Seal Replacements Available	Yes
Other Finishes Available	None

Specification:

Code	CM530	Voltage/Power	230V/50Hz
Fridge Type	Chest Freezer	Cooling System	Static
Capacity	385 Ltr	Insulation Thickness	75mm
Gastronorm Compatible	No	Weight	67KG
Number of Shelves	2 Baskets	Rollers, Feet or Castors	Castors
Door Type	Solid	Control Panel	Dial
Internal Material	Aluminium	Noise Level	42dB
External Material	Painted Steel	Lockable	No
Temperature Range	-24°C to -18°C	Hinge Side	N/A
Ambient Temperature Range	16°C to 32°C	Depth with Door Open	N/A
Refrigerant	R600a	Energy Consumption (KWH/Year)	730
Defrost System	Manual		

